

AW139 MAIN ROTOR BLADE DAMAGE REPORT

Aircraft type	AW139	Aircraft Serial Number	31315	Aircraft Registration	M72-02
Item description	Main Rotor Blade				
Item P/N	3G6210A00131	Item Serial Number	R2001		

Damage description

A part of outer trim tab (blade STA5175) found broken off and missing during check after flight. Subsequent inspection found further delamination of the trim tab and signs of corrosion. Estimate area of missing piece is 42 cm².



Figure 1



Figure 2

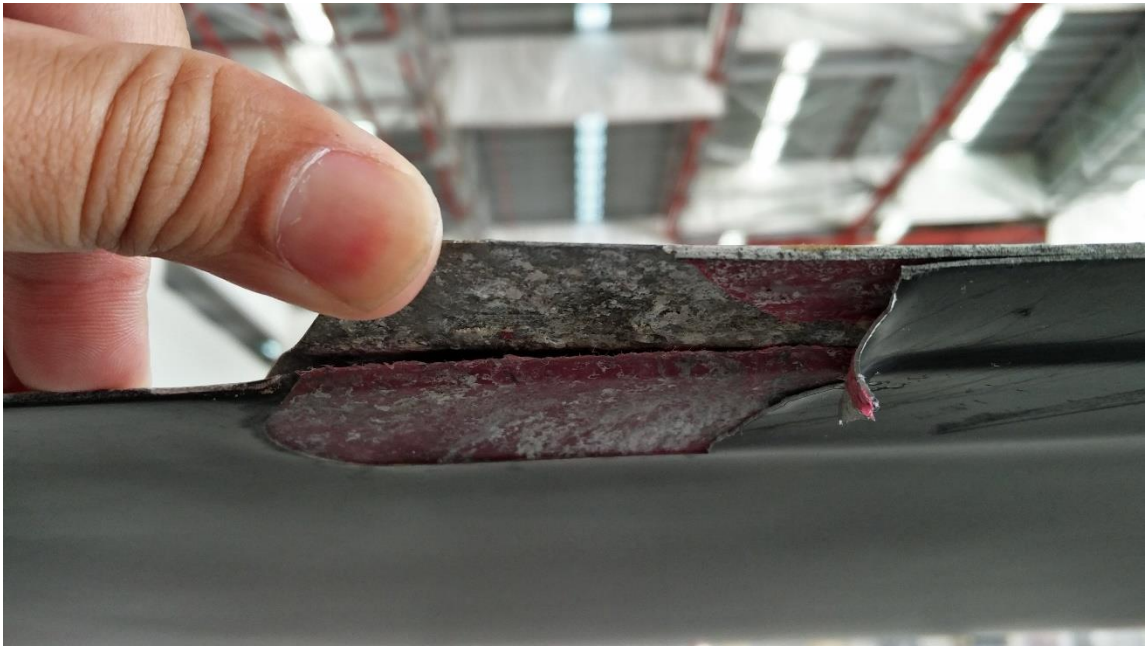


Figure 3



Figure 4

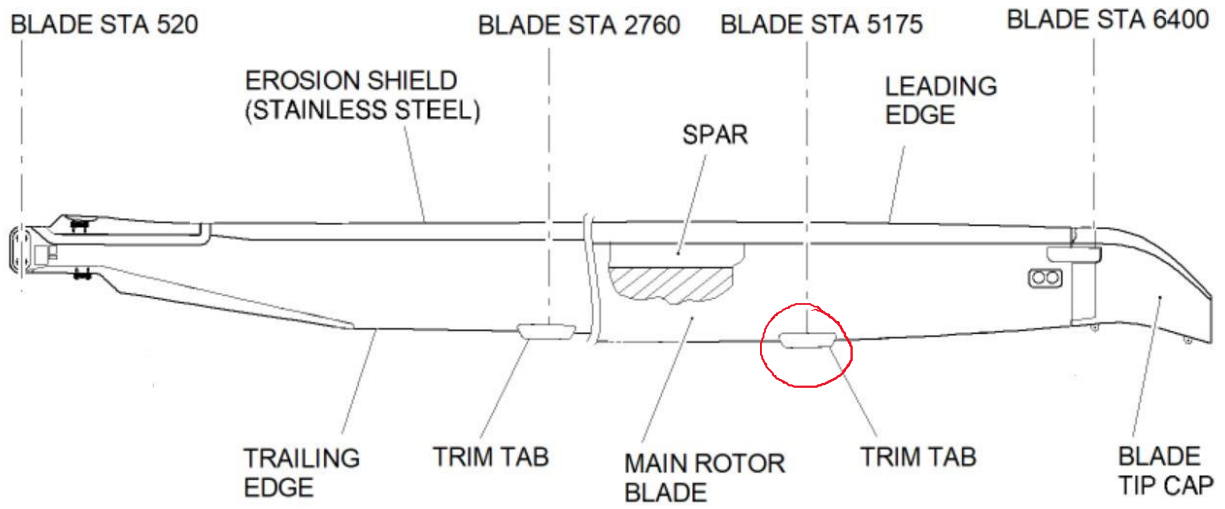


Figure 5

Report prepared by,
Engku Emri