

## RISE AERO SDN. BHD.

Lot G-29, 1-29, 2-29, Jalan Warisan Sentral 1, Kota Warisan, 43900 Sepang, Selangor.  
Tel: 03-8705 1395  
Company Registration No.: 201601014580 (1185511-U)  
CAAM Approval Number: AMO/2019/03



Our Ref: 3000-A25-009R2

21<sup>th</sup> November 2023

### Galaxy Aerospace (M) Sdn Bhd

Lot 11-14, MRO Centre,  
Malaysia International Aerospace Centre,  
Sultan Abdul Aziz Shah Airport,  
47200 Subang, Subang.

Dear Sir/Mdm,

### Subject: Fabrication of Sea Tray and Seat Protective Cover for Aircraft AW139

We are pleased to submit our revised quotation for your review and kind consideration. Please note that the sea tray foam and covers are of aviation approved materials.

#### 1. WORKSCOPE

Description	Qty	Total Price (RM)
Sea tray fabrication as per Galaxy Aerospace drawing no. ED256002.	1	RM61,209
Passenger seat protective covers for 8 pax as per drawing no. ED256002.	2	

Note:

- Prices indicated above are inclusive of consumables.
- Blue fabric cover and foam materials are approved by **FAR 25.853** specification.
- Refer appendix for visual representation.

#### 2. CERTIFICATION

- Certification of Conformance (C of C).

#### 3. LEAD TIME

- Delivery of both the sea tray, seat covers and partitions by 13 Dec 2023 upon receiving purchase order.
- Galaxy Aerospace to provide access to helicopter for dimension validation and/or fitting.

#### 4. VALIDITY

- This quote is valid until end of business today 21 Nov 2023.

#### **Proprietary Notice**

*RISE Aero Proprietary Rights are included in the information disclosed herein. Recipient, by accepting this document, agrees that neither this document nor any part thereof shall be reproduced or transferred to other documents, or used or disclosed to others for any other purpose, except as specifically authorized in writing by RISE Aero*

**RISE AERO SDN. BHD.**

Lot G-29, 1-29, 2-29, Jalan Warisan Sentral 1, Kota Warisan, 43900 Sepang, Selangor.  
Tel: 03-8705 1395  
Company Registration No.: 201601014580 (1185511-U)  
CAAM Approval Number: AMO/2019/03



**5. PAYMENT TERMS**

- 100% advance payment

**6. TERMS & CONDITIONS**

- The fabrication of the sea tray and seat covers as per approved Galaxy Aerospace drawing no. ED256002.
- Purchase order to be released immediately on 21 Nov 2023 for the project to start.
- Any deviation from the above workscope or request to expedite on the lead time will incur additional charges.
- No cancellation is allowed once purchase order has been issued.

We look forward for your acceptance to this quotation and issuance of the purchase order.

Thank You & Best Regards,

*Mugambigai M.R* 

**Mugambigai Murugan**

**SIGNED** for and on behalf of  
**RISE Aero Sdn Bhd**

  
**ABDUL RAHMAN SAMSUDIN**  
Sales & Commercial Controller  
Galaxy Aerospace (M) Sdn. Bhd.  
(1040262-D)

**SIGNED** for and on behalf of  
**Galaxy Aerospace Sdn Bhd**  
**Quote Ref:3000-A25-009R2**

**Proprietary Notice**

*RISE Aero Proprietary Rights are included in the information disclosed herein. Recipient, by accepting this document, agrees that neither this document nor any part thereof shall be reproduced or transferred to other documents, or used or disclosed to others for any other purpose, except as specifically authorized in writing by RISE Aero*

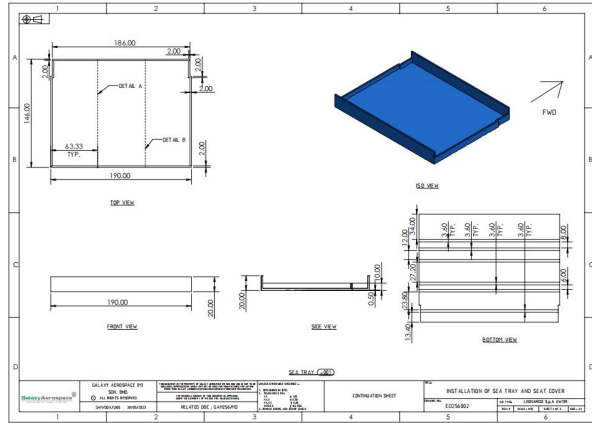
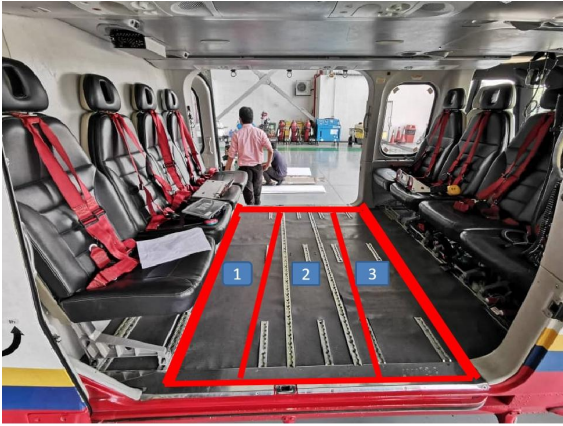
**RISE AERO SDN. BHD.**

Lot G-29, 1-29, 2-29, Jalan Warisan Sentral 1, Kota Warisan, 43900 Sepang, Selangor.  
 Tel: 03-8705 1395  
 Company Registration No.: 201601014580 (1185511-U)  
 CAAM Approval Number: AMO/2019/03

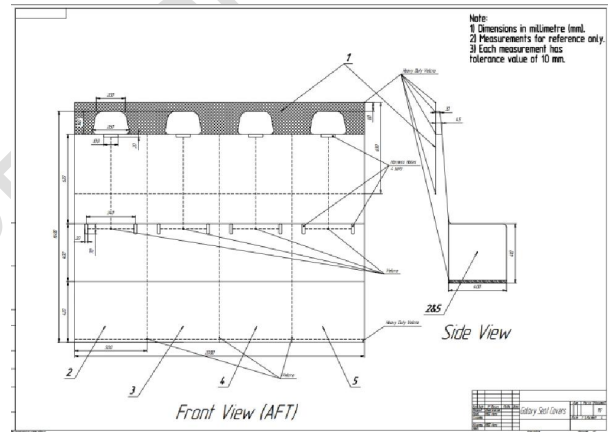


**APPENDIX A**

• **Sea Tray Design**



• **Seat Covers (Fwd & Rear)**



**Proprietary Notice**

RISE Aero Proprietary Rights are included in the information disclosed herein. Recipient, by accepting this document, agrees that neither this document nor any part thereof shall be reproduced or transferred to other documents, or used or disclosed to others for any other purpose, except as specifically authorized in writing by RISE Aero